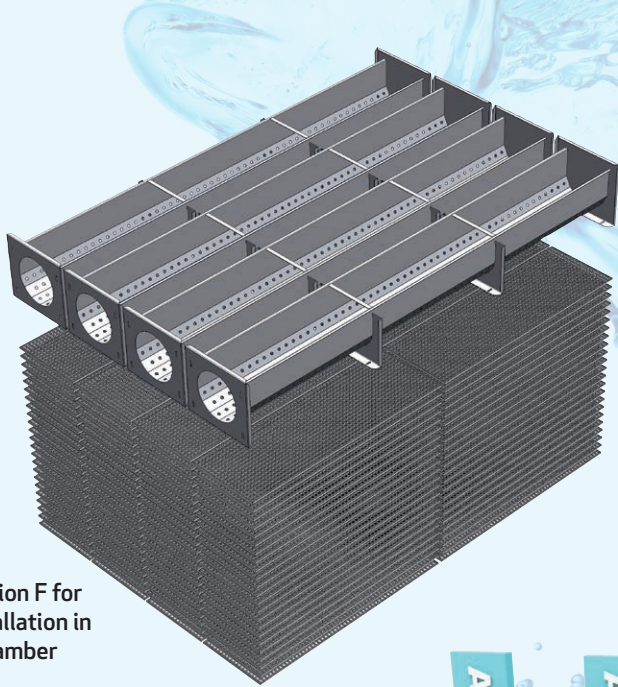
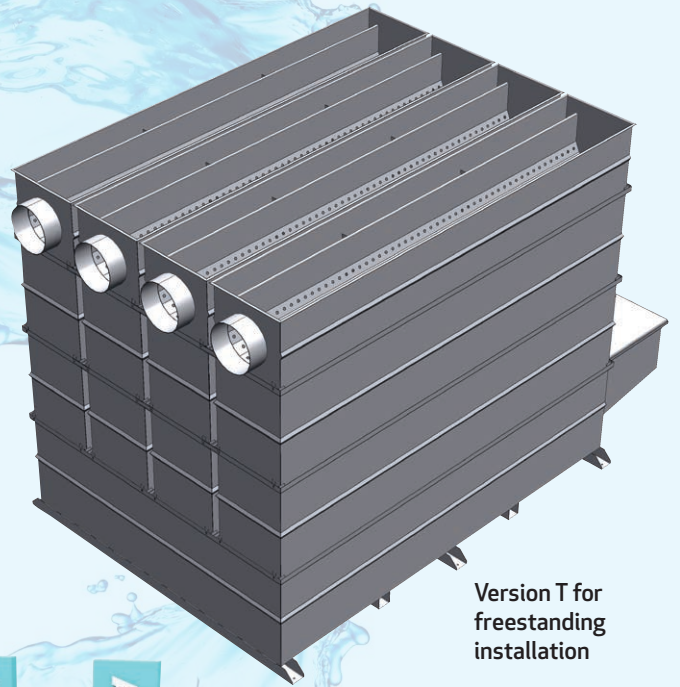




CO₂-DEGASSER



Version F for installation in a chamber



Version T for freestanding installation



GENERAL INFORMATION

NP CO₂-degasser is a selfcleaning cascade-type degasser, working with concurrent water and air flow. The fill media is made of horizontal layers of PP-panels, each with many small channels for the falling water to pass through. At this passage the water accelerates air downwards, and simultaneously with heavy turbulence, CO₂ is transferred to the air.

The NP CO₂-degasser works without an exhaust fan, but for indoor installations where it is essential to evacuate the air with high CO₂ content, the degasser is equipped with an axial fan.

The design is module based to achieve low manufacturing cost and easy installation in existing plants. The system includes top distribution module(s), fill media module(s) and in case of free-standing installation a collection tank module. There are two lengths of the modules; the shorter has a max hydraulic capacity of 1500 l/min each and the longer 3000 l/min each.

STANDARD SIZES	1500	3000	4500	6000	7500	9000	12000	15000
Dimensional drawing nr.	399002	399004	399006	399008	399010	399012	399014	399016
Maximum flow (l/min)	1500	3000	4500	6000	7500	9000	12000	15000
Minimum flow to achieve self cleaning effect (l/min)	750	1500	2250	3000	3750	4500	6000	7500
Axial fan flow (m ³ /h)	675	1350	2025	2700	3375	4050	5400	6750
Axial fan effect (kW)	0,12	0,12	0,18	0,18	0,25	0,25	0,55	0,55
Weight Version F (kg)	60	110	160	220	270	300	400	500
Weight Version T (kg)	150	270	385	420	580	620	850	1000

GENERAL

Fill media material	Polypropylene
Sheet metal material	EN1.4301, EN 1.4404 or EN 1.4462
Specific flow rate water at maximum flow	50 l/s/m ²
Standard fill media depth	1 m
CO ₂ removal efficiency with 1 m media depth and maximum flow	approximately 60%
CO ₂ removal efficiency with 1 m media depth and minimum flow	approximately 70%

CONTACT:



+47 64 85 94 20



post@sterner.no

HEADQUARTERS

Anolitveien 16,
1400 Ski, Norway
Postboks 3534, N-1402 Ski

+47 64 85 94 20

post@sterner.no

DEP. PORSGRUNN

Vipeveien 51,
3917 Porsgrunn

DEP. BERGEN

Stamsneset 100a,
5252 Søreidgrend

DEP. TRONDHEIM

Postboks 3534,
1402 Ski

DEP. LEKNES

Lekneskroken 7,
8376 Leknes

