



LIVE FISH TRANSFER PUMPS

PIN-PIN

IMPEX Agency Hoerning ApS

Kollens Moellevej 19-21

Adslev

DK-8362 Hoerning

Denmark

Telephone: +45 86 92 31 33

Telefax: +45 86 92 31 15

E-mail: impex@impexagency.dk

www.impexagency.dk



ENGLISH

Z-65L-S (2.5" connection) was released in 1998 and was the first live fish transfer pump in the world for fingerlings, that is equipped with speed adjustment. It has revolutionised the way that fingerlings are transferred.

Since then two additional models have been introduced, Z-100 (4" connection) and Z-150 (6" connection). All three models have been built according to the same principles.

GENTLE FISH HANDLING

The FRP moulding technique with mirror-like inner surface prevents damages and stress to the fish.

VOLUME CONTROL

The volume of water and fish can be adjusted according to speed control fitted on pump with a range from 0 – 100%. Remote control is optional and allows full speed control of pump from up to a distance of 500 m.

LABOUR-SAVING

The PIN-PIN fish pumps prevent the hard work and ensure a fast, gentle and smooth transfer of the fish.

QUALITY

PIN-PIN pumps

Are: Easy to manoeuvre
Easy to operate
Very gentle to the fish
Very efficient
Very reliable

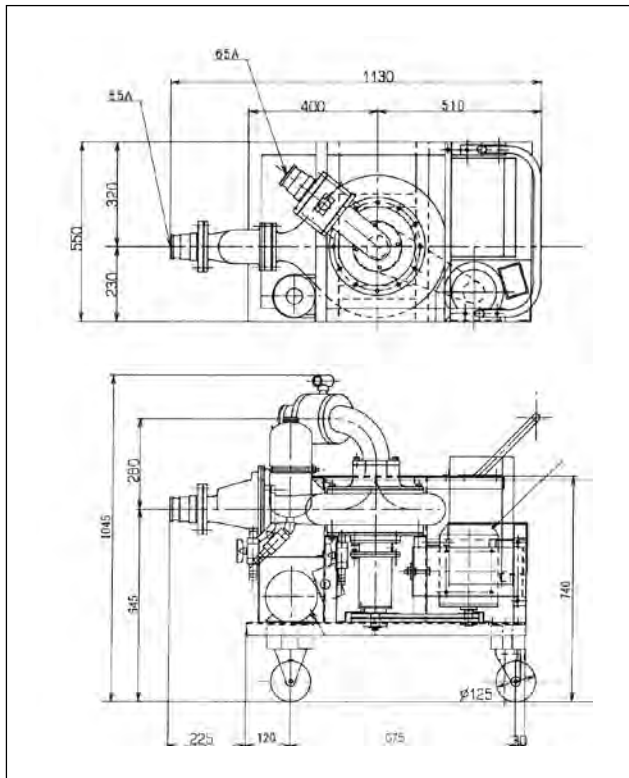
Have: High capacity
Simple design
Adjustable speed (0-100%)
Large transport height

Can: Pump fish over a long distance
Work under all conditions
Also be supplied with 220 V motor

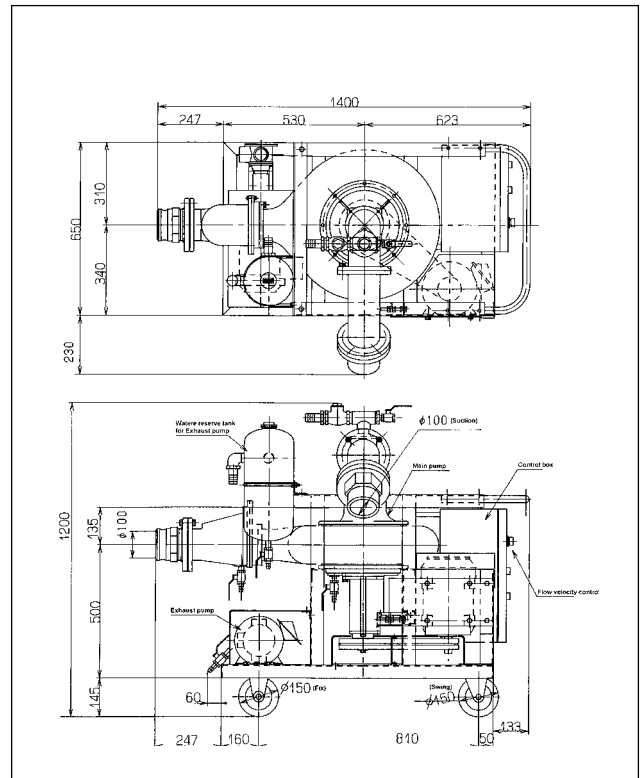


DIMENSIONS

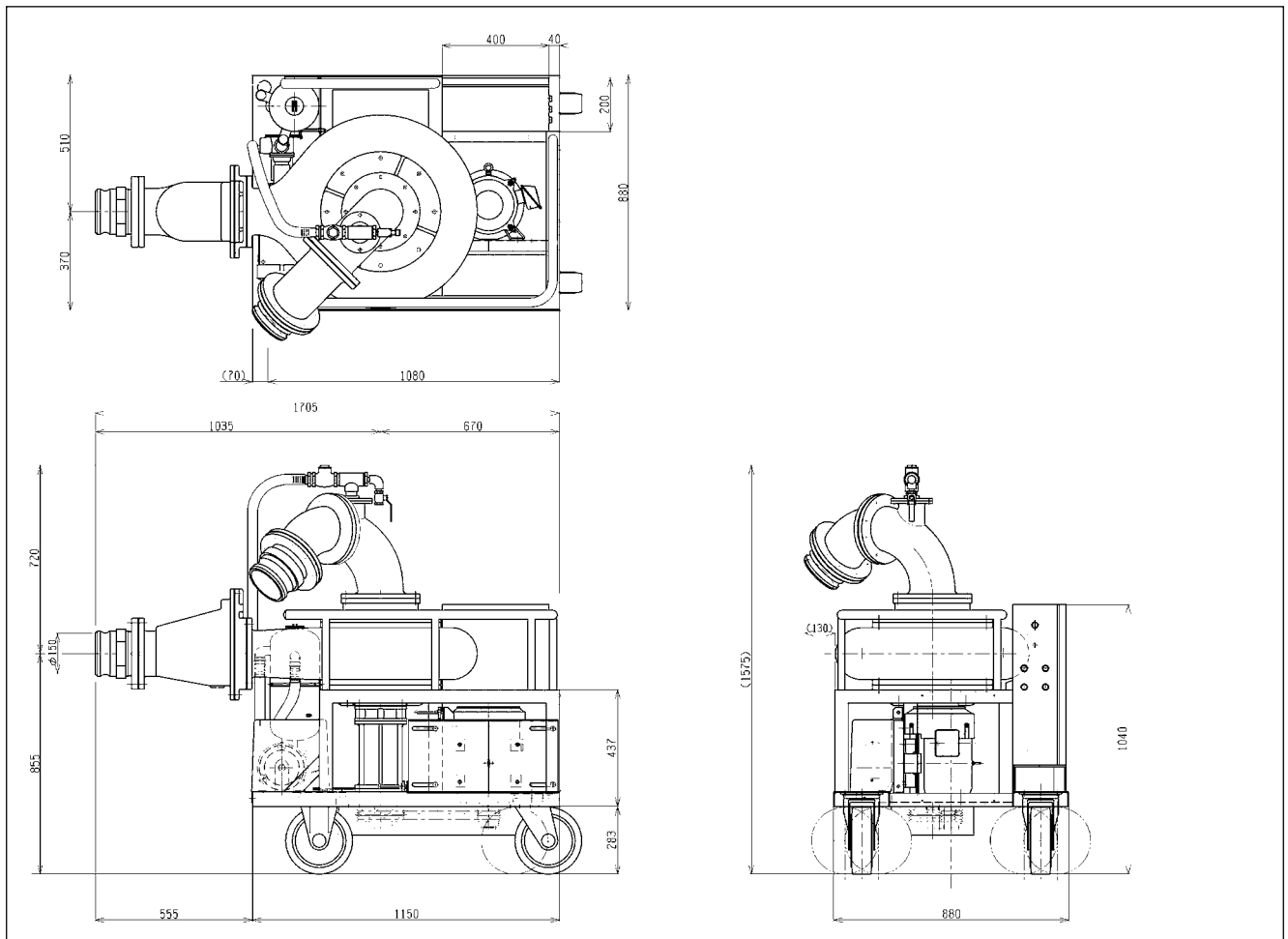
Z-65



Z-100




Z-150



TECHNICAL SPECIFICATIONS ESPECIFICACIONES TÉCNICAS - SPÉCIFICATIONS TECHNIQUES

	Z-65L-S	Z-100L/L-S	Z-150L-S
Fish size Tamaño de pez Taille de poissons	0.2 - 25 g (bream) 0.2 - 30 g (bass) 0.2 - 40 g (trout, salmon, eel)s	1 - 80 g (bream) 1 - 100 g (bass) 1 - 250 g (trout, salmon, eel)	2 - 200 g (bream) 2 - 250 g (bass) 2 - 650 g (trout, salmon, eel)
Max. capacity per hour Máx. capacidad por hora Max. capacité par heure	40 m3/h (fish & water) 4 m3/h (fish)	80 m3/h (fish & water) 8 m3/h (fish)	240 m3/h (fish & water) 20 m3/h (fish)
Max. transfer distance Distancia máx de trasvase Longueur max. de transfert	150 m	200 m	500 m
Max. transfer height Altura máx. de trasvase Hauteur max. de pompage	6 m	6 m	9 m
Power Supply Alimentación Courant électrique	220/230 V 380/400 V	220/230 V 380/400 V	220/230 V 380/400 V
Main pump Bomba principal Pompe principale	1.5 kW	2.2 kW	5.5 kW
Exhaust pump Bomba de vacío Pompe d'échappement de l'air	0.75 kW	1.5 kW	1.5 kW
Inlet size Medida de entrada Diamètre d'entrée	2.5", 65 mm	4", 100 mm	6", 150 mm
Outlet size Medida de salida Diamètre de sortie	2.5", 65 mm	4", 100 mm	6", 150 mm
Size Tamaño Dimensions	113 cm long 55 cm wide 97 cm high	140 cm long 88 cm wide 120 cm high	175 cm long 101 cm wide 154 cm high
Weight/peso/poids	118 kg	220 kg	450 kg
Wheels, standard Ruedas, estandar Roues, standard	Ø125 mm , solid, stainless, 2 revolving, 2 non-revolving 2 ruedas desmontables, 2 ruedas fijas 2 roues pivotantes, 2 roues fixes	Ø150 mm, solid L=steel, L-S=stainless 2 revolving, 2 non-revolving 2 ruedas desmontables, 2 ruedas fijas 2 roues pivotantes, 2 roues fixes	Ø250 mm, solid, stainless, 2 revolving, 2 non-revolving 2 ruedas desmontables, 2 ruedas fijas 2 roues pivotantes, 2 roues fixes
Wheels, airfilled Ruedas, llenas de aire Roues, gonflées à l'air	On request	On request	On request
Salt water Agua salada Eau de mer	Yes	Z-100L - no Z-100L-S - yes	Yes

Agent/Agente:


 All products are made with no harmful effect to the environment
 