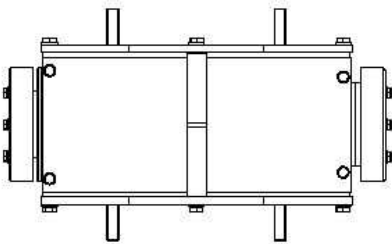
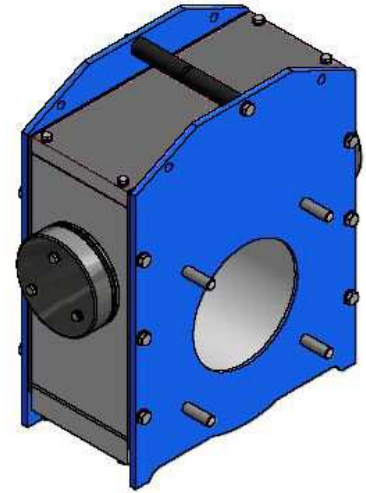
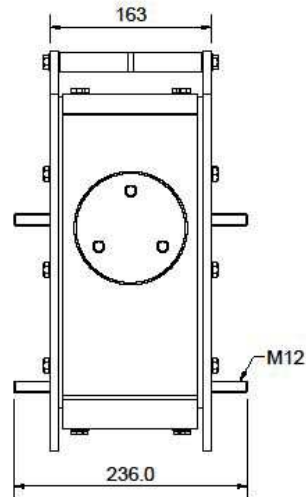
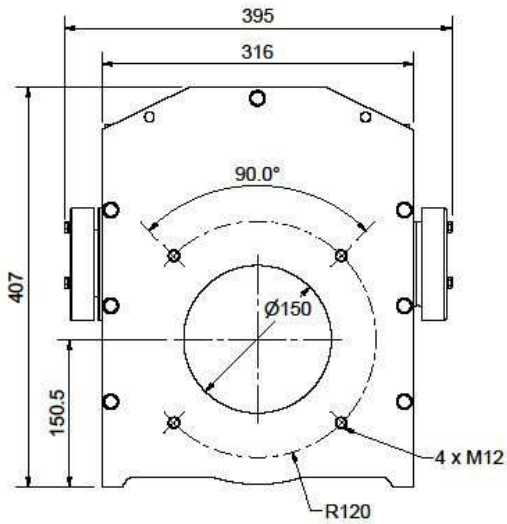


AquaScan Registration Unit CSE1600



| | |
|---------------------------------------|---|
| Material | <i>Powder painted aluminium and POM</i> |
| Weight | <i>14 Kg</i> |
| Dimensions | <i>407 x 395 x 236mm</i> |
| Capacity | <i>20 000 fish/unit/hour (100g)</i> |
| Power Consumption | <i>10W</i> |
| Power supply | <i>Powered by the Control Unit</i> |
| Flange connection | <i>DN150</i> |
| Fish size | <i>1g to 1Kg</i> |
| Accuracy | <i>98-100%</i> |
| Arrangement | <i>Approx. 30 ° tilt forward. 0 to ¼ pipe transport water</i> |
| Flow speed | <i>2,5 - 3 m/s</i> |
| Standard cable length included | <i>10 meters</i> |
| Requirements | <i>AquaScan Control Unit</i> |