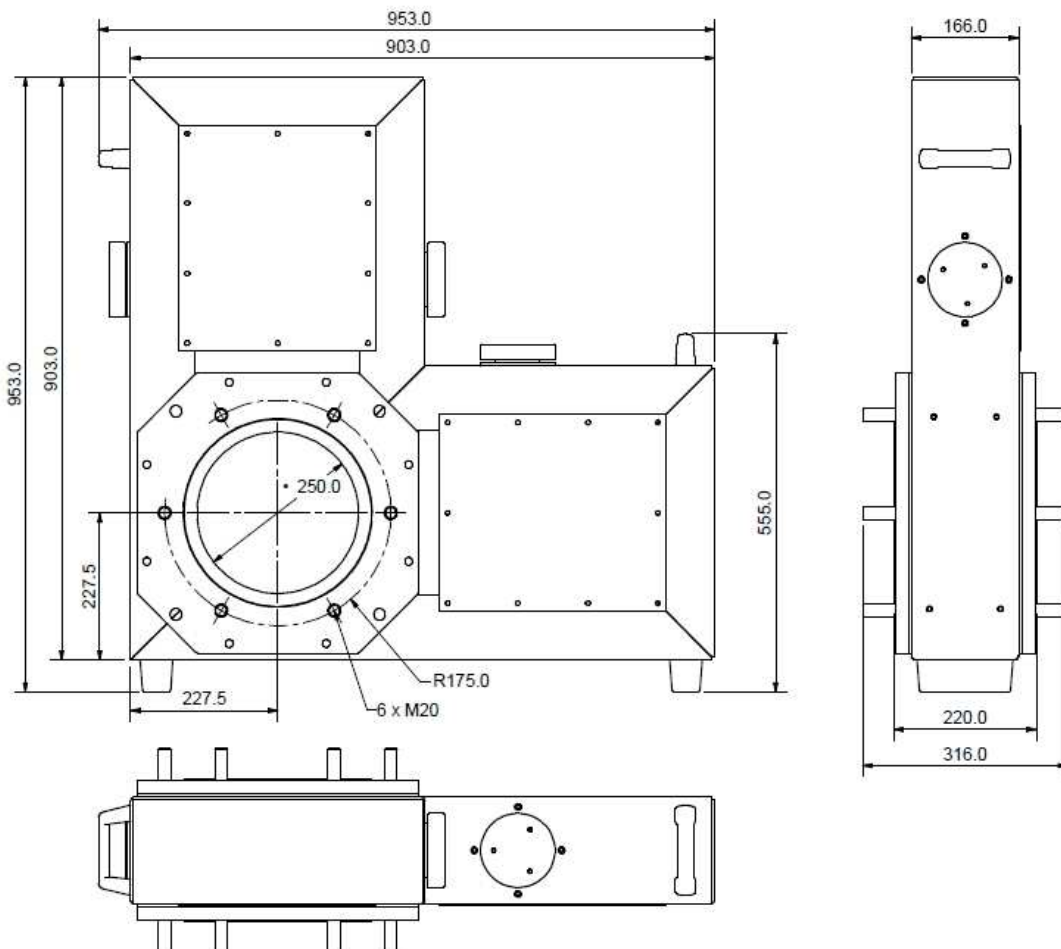


AquaScan Registration Unit CSF2500



Material	<i>Powder painted aluminium and POM</i>
Weight	<i>50 Kg</i>
Dimensions	<i>953 x 953 x 316mm</i>
Capacity	<i>60 tonnes/unit/hour (1Kg)</i>
Power Consumption	<i>30W</i>
Power supply	<i>Powered by the Control Unit</i>
Flange connection	<i>DN250</i>
Fish size	<i>10g to 7Kg</i>
Accuracy	<i>98-100%</i>
Water flow	<i>Constant. Pipe must be completely filled with water</i>
Flow speed	<i>2,5 – 3,5 m/s</i>
Standard cable length included	<i>10 meters</i>
Requirements	<i>AquaScan Control Unit</i>
Video surveillance system	<i>CCTV composite video</i>
Direction control	<i>Loading/Unloading</i>