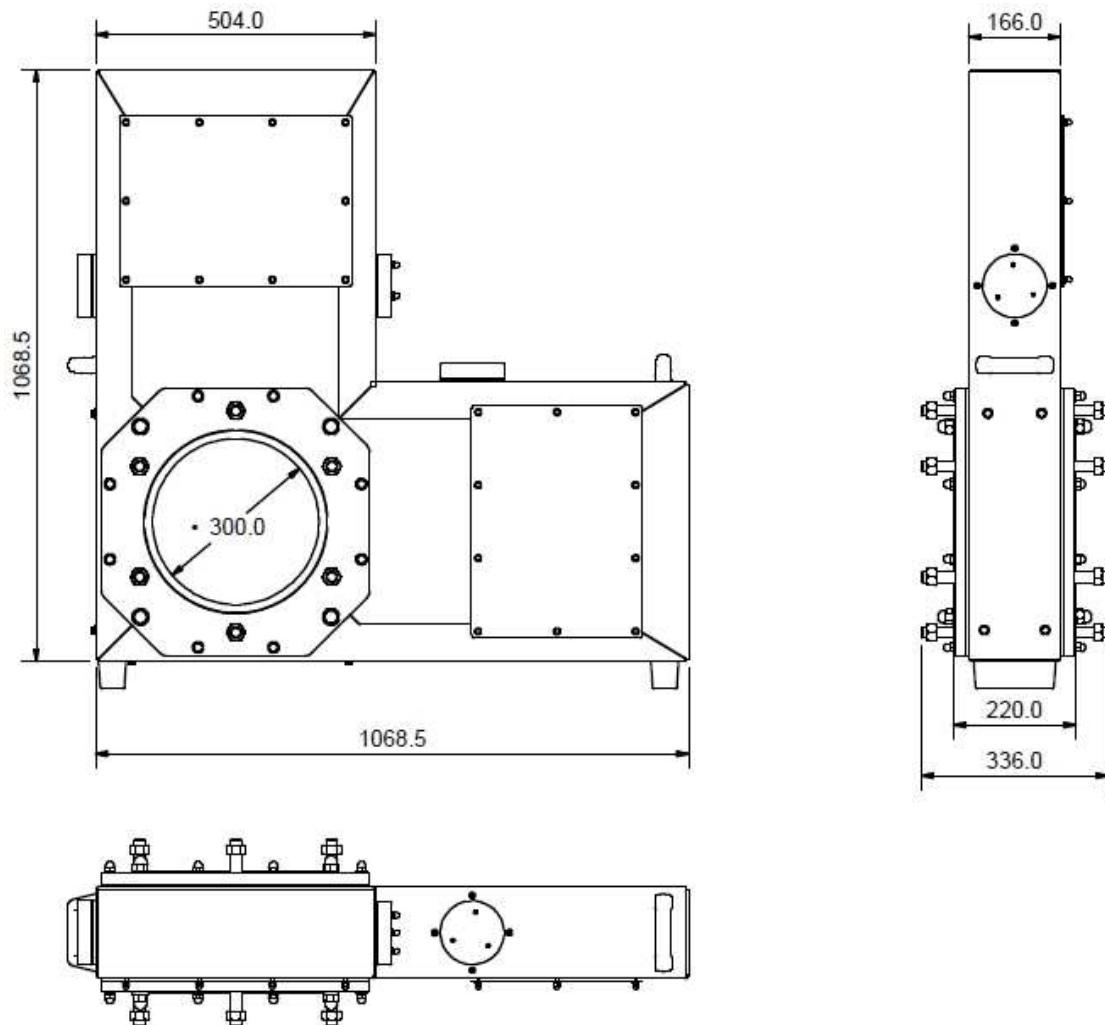


AquaScan Registration Unit CSF3150



Material	<i>Powder painted aluminium and POM</i>
Weight	<i>65 Kg</i>
Dimensions	<i>1068.5 x 1068.5 x 336mm</i>
Capacity	<i>100 tonnes/unit/hour (1Kg)</i>
Power Consumption	<i>40W</i>
Power supply	<i>Powered by the Control Unit</i>
Flange connection	<i>DN300</i>
Fish size	<i>50g to 12Kg</i>
Accuracy	<i>98-100%</i>
Water flow	<i>Constant. Pipe must be completely filled with water</i>
Flow speed	<i>3 - 4 m/s</i>
Standard cable length included	<i>10 meters</i>
Requirements	<i>AquaScan Control Unit</i>
Video surveillance system	<i>CCTV composite video</i>
Direction control	<i>Loading/Unloading</i>