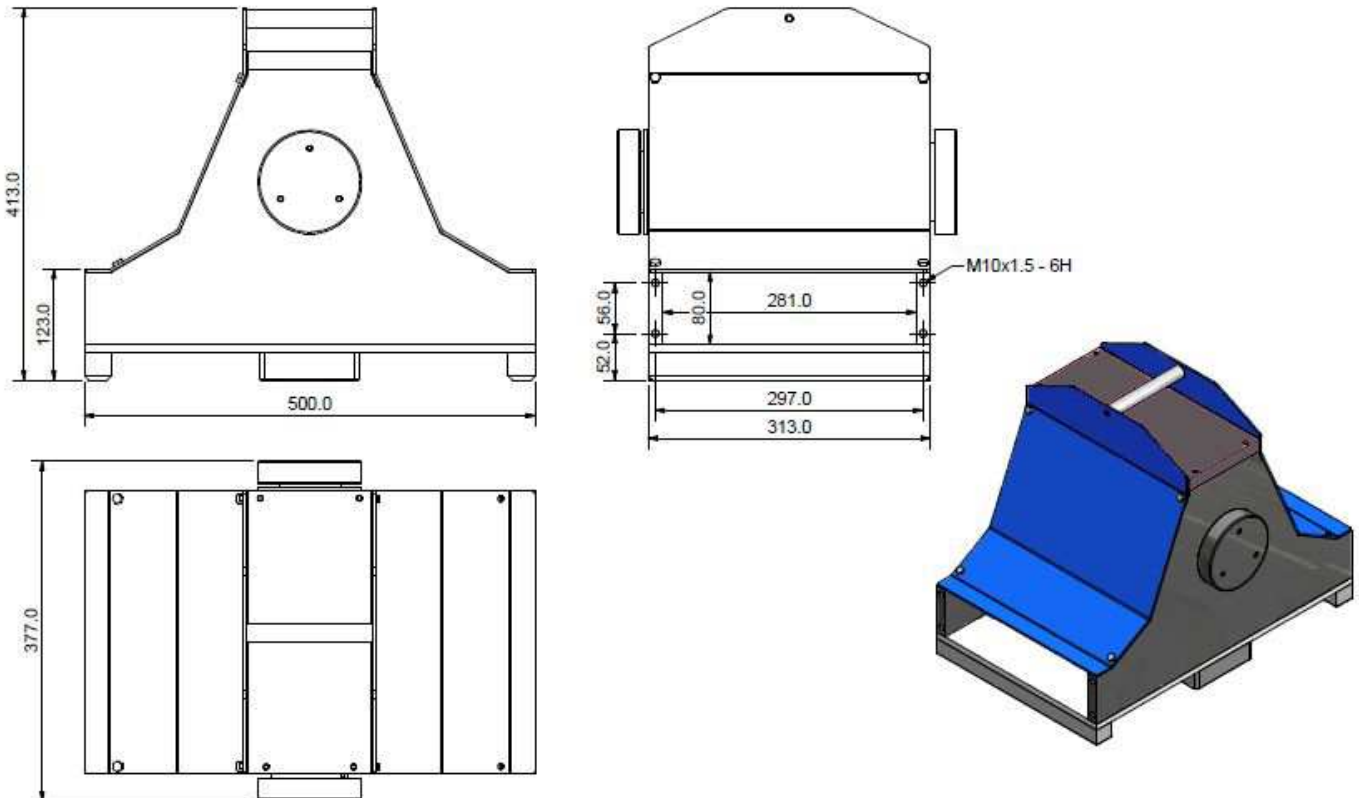


## AquaScan Registration Unit CSW2800



<b>Material</b>	<i>Powder painted aluminium and POM</i>
<b>Weight</b>	<i>15 Kg</i>
<b>Dimensions</b>	<i>413 x 500 x 377mm</i>
<b>Capacity</b>	<i>50 000/unit/hour (10g)</i>
<b>Power Consumption</b>	<i>15W</i>
<b>Power supply</b>	<i>Powered by the Control Unit</i>
<b>Fish size</b>	<i>0.2g to 200g</i>
<b>Accuracy</b>	<i>98-100%</i>
<b>Arrangement</b>	<i>Approx. 30 ° tilt forward. Transport water</i>
<b>Flow speed</b>	<i>2 - 3 m/s</i>
<b>Standard cable length included</b>	<i>10 meters</i>
<b>Requirements</b>	<i>AquaScan Control Unit</i>