



AQUATIC ECO-SYSTEMS™

# COMMERCIAL AQUACULTURE

## PENTAIR AQUATIC ECO-SYSTEMS POINT FOUR™ MICRO BUBBLE DIFFUSERS (MBD)

### The original ... since 1988

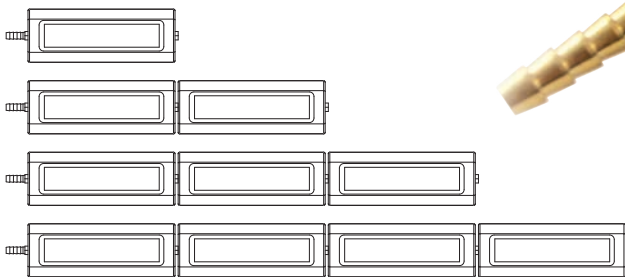
These aquaculture-duty diffusers are among the most efficient diffusers available, allowing you to increase yield while controlling the cost of expensive gases. Made from premium materials and subject to rigorous testing, MBD diffusers provide the kind of performance and reliability our reputation is built on.

Point Four diffusers use a specially developed, ultra fine pore ceramic plate that produces a cloud of extremely fine bubbles of approximately 100–500 microns; far superior to airstones, porous hose or membrane type designs. The flat plate design ensures uniform bubbles across the entire surface and minimizes bubble coalescence to achieve an absorption rate in excess of 80%, depending on depth and flowrate. Bubbling Pressure is 25 to 35 psi. (1.7 to 2.4 bar).

- One of the most efficient diffusers available.
- Easy to install and use—trouble-free operation.
- Robust construction—ceramic plates set in a rigid aluminum base with solid brass connection fittings (MBD Series).
- Also available with a weighted plastic base (1PMBD075).
- Flexible, modular design lets you easily add or subtract diffusers as your needs change (1PMBD075).



1PMBD075

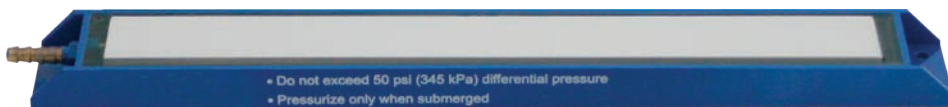


1PMBD075 Modular Design

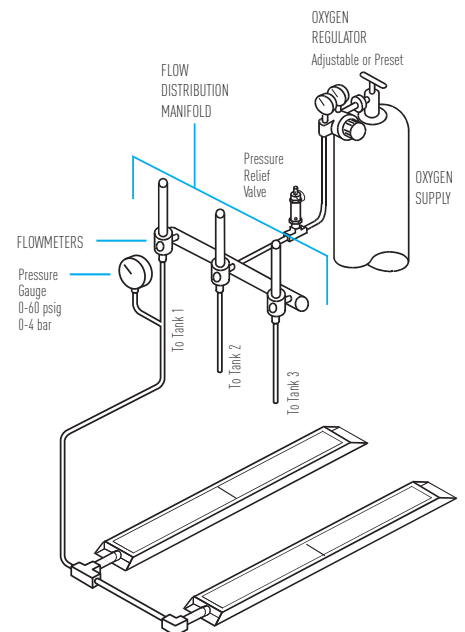
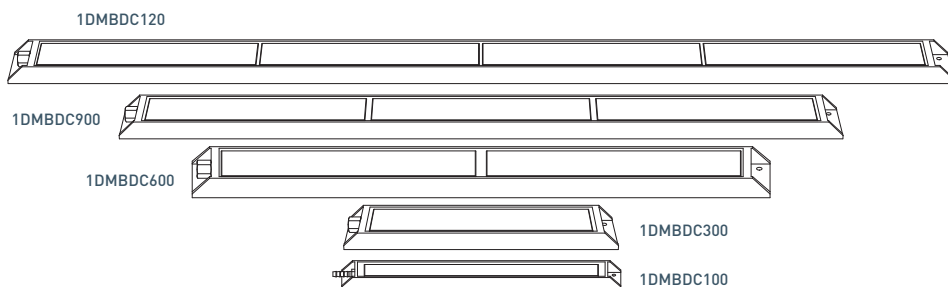


## PENTAIR AQUATIC ECO-SYSTEMS POINT FOUR™ MICRO BUBBLE DIFFUSERS (MBD)

	Overall Size (in/cm)	Weight (lbs/kg)	Rec. Operating Range (Lpm/scfh)	Max Flowrate @ 50 psi (3.5 bar) (Lpm/scfh)	Gas Inlet Connection
1PMBD075	8 <sup>5</sup> / <sub>8</sub> " x 2 <sup>3</sup> / <sub>4</sub> " / 22 x 7	1 / 0.45	0.75 / 1.6	2.2 / 9.5	1/4" Hose Barb
1DMBDC100	14 <sup>1</sup> / <sub>2</sub> " x 1 <sup>3</sup> / <sub>4</sub> " / 37 x 4.5	1.2 / 0.535	up to 1.5 / 3.2	4.5 / 9.5	1/4" Hose Barb
1DMBDC300	15 <sup>1</sup> / <sub>4</sub> " x 3 <sup>1</sup> / <sub>4</sub> " / 39 x 8.3	2.8 / 1.3	up to 3 / 6.5	9 / 19	1/4" Female
1DMBDC600	27 <sup>1</sup> / <sub>2</sub> " x 3 <sup>1</sup> / <sub>4</sub> " / 70 x 8.3	5 / 2.3	up to 6 / 12.7	18 / 38	1/4" Female
1DMBDC900	39 <sup>3</sup> / <sub>4</sub> " x 3 <sup>1</sup> / <sub>4</sub> " / 102 x 8.3	7.3 / 3.3	up to 9 / 19.5	27 / 58	1/4" Female
1DMBDC120	52" x 3 <sup>1</sup> / <sub>4</sub> " / 132 x 8.3	9.5 / 4.3	up to 12 / 26	36 / 78	1/4" Female



1DMBDC100



### AQUATIC ECO-SYSTEMS™

2395 APOPKA BLVD., APOPKA, FL 32703 407.886.3939 PentairAES.com

All Pentair trademarks and logos are owned by Pentair, Inc. Pentair Aquatic Eco-Systems™ and Point Four™ are trademarks and/or registered trademarks of Pentair Aquatic Eco-Systems, Inc. and/or its affiliated companies in the United States and/or other countries. Unless expressly noted, names and brands of third parties that may be used in this document are not used to indicate an affiliation or endorsement between the owners of these names and brands and Pentair Aquatic Eco-Systems, Inc. Those names and brands may be the trademarks or registered trademarks of those third parties. Because we are continuously improving our products and services, Pentair reserves the right to change specifications without prior notice. Pentair is an equal opportunity employer.